

LED Wall Pack Light 001B Series 壁挂灯001B系列



采用一体化透镜提高光效，专业级配光。
Adopt the intergrated lens to improve the luminous efficacy and offer perfect light distribution.

采用铝压铸外壳,表面做喷粉处理,灯具精致美观,散热性好。
Die-casting aluminum body,outer surface with spray paint treatment,elegant appearance and excellent heat dissipation.

优质的LED灯珠，确保产品的可靠性和一致性。
High-class LED chip to ensure good reliability and consistency.

高导热系数铝基板作为灯珠载体，解决快速散热问题。
Aluminum PCB with high thermal conductivity as chip carrier for faster cooling.

全部采用优质不锈钢紧固件。
All adopt superior stainless steel nuts.



15W/20W/24W



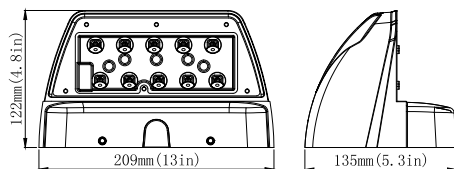
30W/42W



UNIVERSELITE CO., LTD.
KUAJI CUN INDUSTRIAL ZONE, PINGSHUI TOWN, SHAOXING COUNTY,
ZHEJIANG PROVINCE, CHINA ZIP : 312051
Tel : 86-575-85739999
Fax : 86-575-85749999
Email: info@universelite.com
Website: www.universelite.com

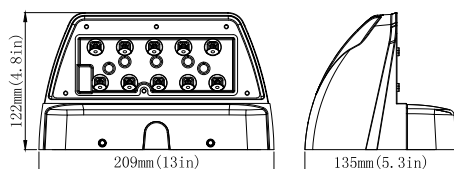
浙江宇光照明科技有限公司
地址：浙江省绍兴县平水镇会稽村工业集聚区
电话：86-575-85739999
传真：86-575-85749999
邮箱：info@universelite.com
网址：www.uvlte.com

15W



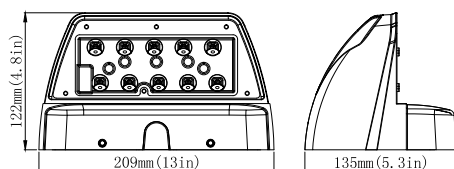
净重 N.W:1.7Kg
毛重 G.W:2.1Kg
包装尺寸 Package Size:23.7*16.7*16CM

20W



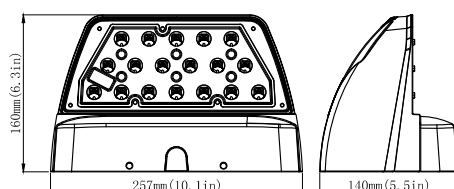
净重 N.W:1.7Kg
毛重 G.W:2.1Kg
包装尺寸 Package Size:23.7*16.7*16CM

24W



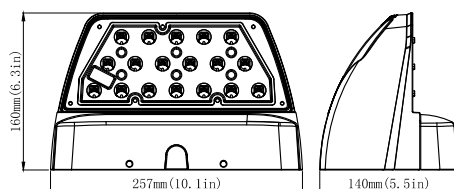
净重 N.W:1.7Kg
毛重 G.W:2.1Kg
包装尺寸 Package Size:23.7*16.7*16CM

30W

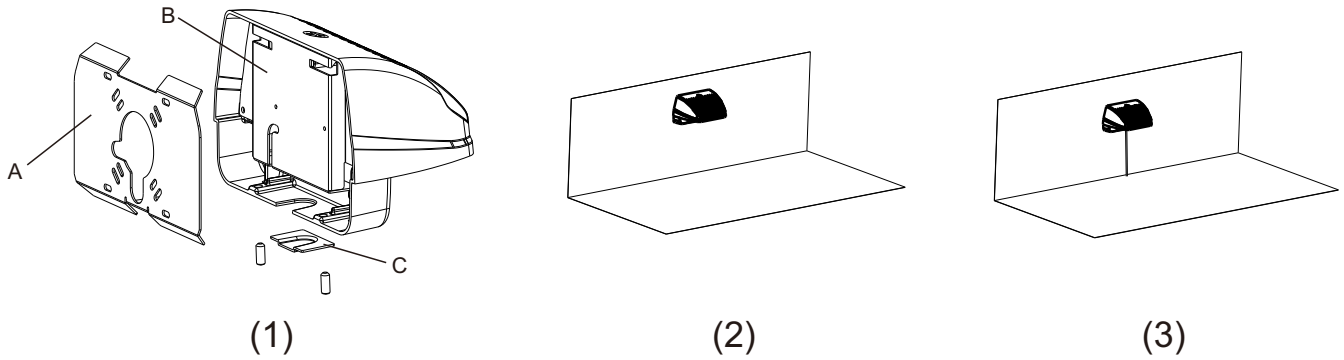


净重 N.W:2.5Kg
毛重 G.W:3.1Kg
包装尺寸 Package Size:29.5*18.5*21CM

42W



净重 N.W:2.5Kg
毛重 G.W:3.1Kg
包装尺寸 Package Size:29.5*18.5*21CM



1.用紧固件将配件A安装于墙壁。

Fasten the template A to the wall using appropriate fasteners.

2.带有配件B的灯具与配件A装配，如图(1)所示。

Mount the fixture to template A through part B (picture 1 shown).

3.带有配件B的灯具与配件A装配，如图(1)所示。

Fasten the 2pcs fasteners through the holes aside, and make sure they firmly touch the template A.

4.接线方式:

I: 在墙壁上装接线盒如图(2)所示

II: 敲掉配件C,产生缺口,预先在墙壁上铺设的管子穿过该缺口。

Wiring guide:

I: Mount the junction box to the wall, wire connections must be within the junction box (please see rendering in picture 2).

II: Knock out opening (C) in bottom casting, for conduit mount (please see rendering in picture 3).

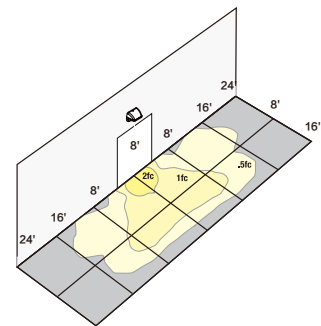
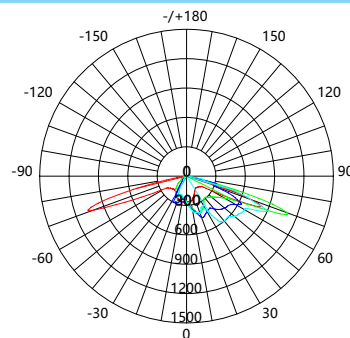
壁挂灯001B参数表 Wall Pack light 001B Parameter table

项目描述 Item description	LEDBG15W001B	LEDBG20W001B	LEDBG24W001B	LEDBG30W001B	LEDBG42W001B	LEDBG32W001B	LEDBG22W001B
输入电压 Input voltage [VAC]	100-277	100-277	100-277	100-277	100-277	100-277	100-277
输入电流 Input current [A]	0.05-0.17	0.07-0.22	0.08-0.27	0.10-0.33	0.14-0.47	0.11-0.36	0.07-0.24
输入功率 Input wattage [A]	15±5%	20±5%	24±5%	30±5%	42±5%	32±5%	22±5%
工作频率 Input frequency [Hz]	50/60	50/60	50/60	50/60	50/60	50/60	50/60
功率因素 Power factor	≥0.90	≥0.90	≥0.95	≥0.90	≥0.95	≥0.90	≥0.90
输出电压 Voltage [V]	18	24	30	36	27	27	36
输出电流 Current(reference) [A]	0.7	0.7	0.7	0.7	1.4	1.05	0.53
输出功率 Wattage(reference) [W]	12±5%	16.6±5%	21±5%	26.5±5%	37.8±5%	28.3±5%	19.2±5%
驱动效率 Power efficiency	80%	83%	86%	87%	89%	87%	87%
灯具光通量 Luminous flux [Lm]	1350	1800	2160	2700	3780	3520	2420
色温 Colour temperature [K]	3000-5700	3000-5700	3000-5700	3000-5700	3000-5700	3000-5700	3000-5700
显色指数 Colour rendering index [Ra]	70	70	70	70	70	70	70
流明维持率 Lumen maintenance(2000h) [%]	98	98	98	98	98	98	98
平均寿命 Average life [h]	50000	50000	50000	50000	50000	50000	50000
灯具净重 Net weight [Kg]	1.7Kg/set	1.7Kg/set	1.7Kg/set	2.5Kg/set	2.5Kg/set	2.5Kg/set	2.5Kg/set
灯具毛重 Gross weight [Kg]	2.1Kg/set	2.1Kg/set	2.1Kg/set	3.1Kg/set	3.1Kg/set	3.1Kg/set	3.1Kg/set
灯具尺寸 Dimensions [in]	8.2*5.3*4.8in	8.2*5.3*4.8in	8.2*5.3*4.8in	10.1*5.5*6.3in	10.1*5.5*6.3in	10.1*5.5*6.3in	10.1*5.5*6.3in
LED灯珠数量 LED chip quantity	6	8	10	12	18	18	12
环境 Environment	WET						
存储环境 Ambient temperature	-40°C-85°C RH10%-95%						
灯具材质 Material	ADC12						
适用环境温度 Ambient Temperature [°C]	-25°C-40°C						

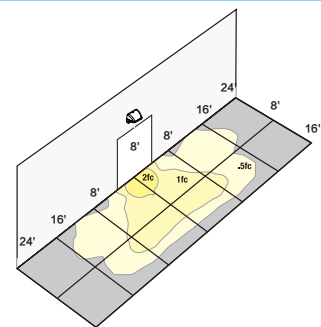
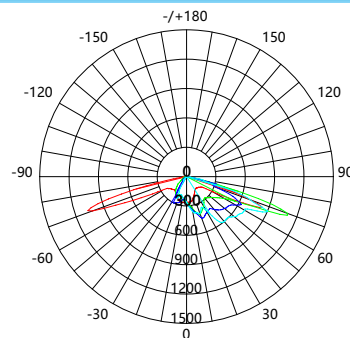
灯具照片 Picture

光学参数 Optics parameter

15W-24W

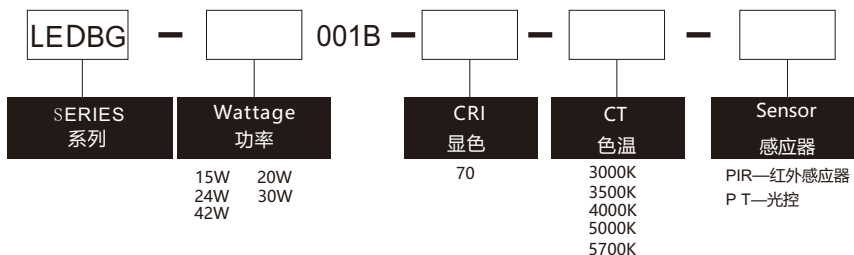


30W-42W



订购信息 Ordering Information

ORDERING EXAMPLE 订购举例: LEDBG15W001B-70-5000K-PT



UNIVERSELITE CO., LTD.
 KUAIJI CUN INDUSTRIAL ZONE, PINGSHUI TOWN, SHAOXING COUNTY,
 ZHEJIANG PROVINCE, CHINA ZIP : 312051
 Tel : 86-575-85739999
 Fax : 86-575-85749999
 Email: info@universelite.com
 Website: www.universelite.com

浙江宇光照明科技有限公司
 地址：浙江省绍兴县平水镇会稽村工业集聚区
 电话：86-575-85739999
 传真：86-575-85749999
 邮箱：info@universelite.com
 网址：www.uvlte.com