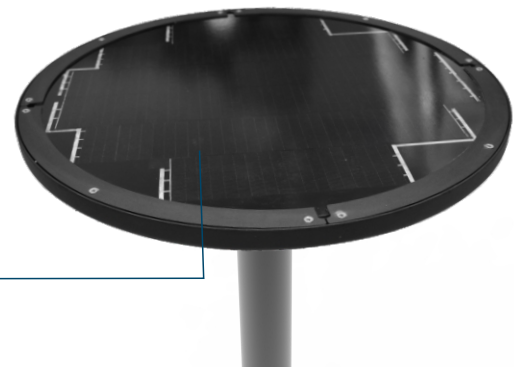
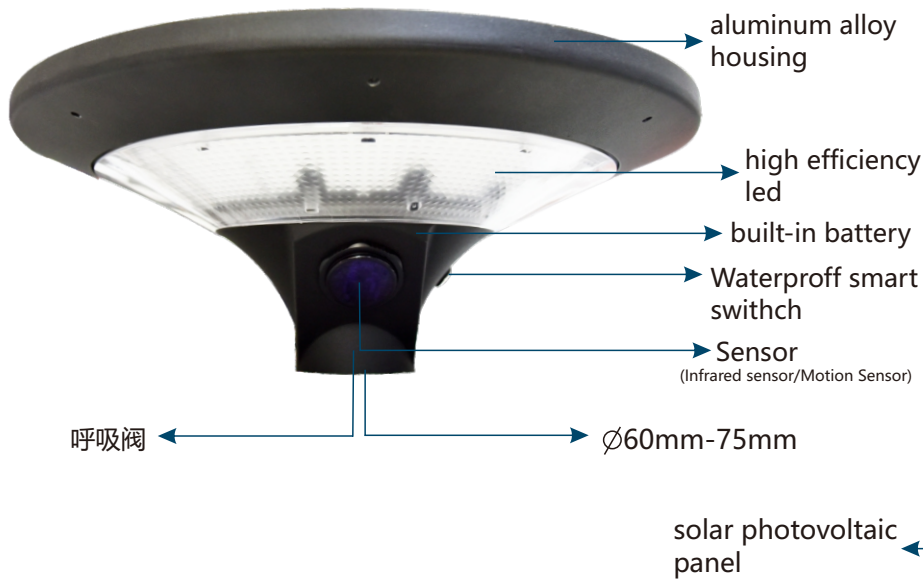


# LED Yard light TYS001

## APPLICATIONS

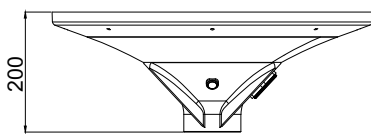
the product adopts a 360° optical design. Widely used for garden, park, square, courtyard, side pavement, commercial areas, residential areas, street, landscape, etc.



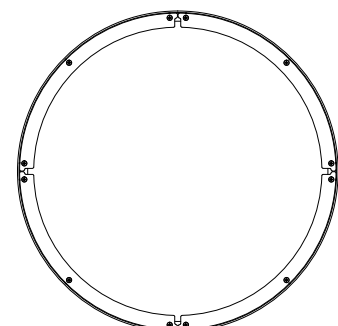
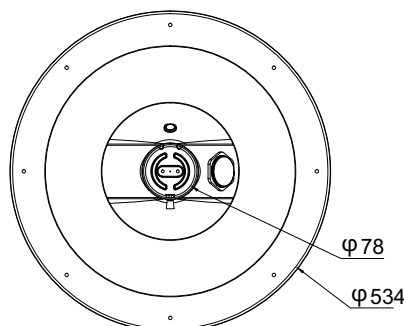
## Specification Features

- Die-casting aluminum body, spray molded handling make the round.
- poly-crystalline solar panel efficiency of more than 18%, energy saving and zero electricity fee.
- 32700 and 26650 Li-ion battery, 3000 cycle, The lighting is uniform and soft.
- Suitable for 60-70 mm diameter lamp pole.
- The circle ring on the lamp can be customized the color as request.
- app bluetooth、WiFi.
- Ambient temperature 0°C~45°C. IP65, IK08, all in one design, easy to install.

## Product size



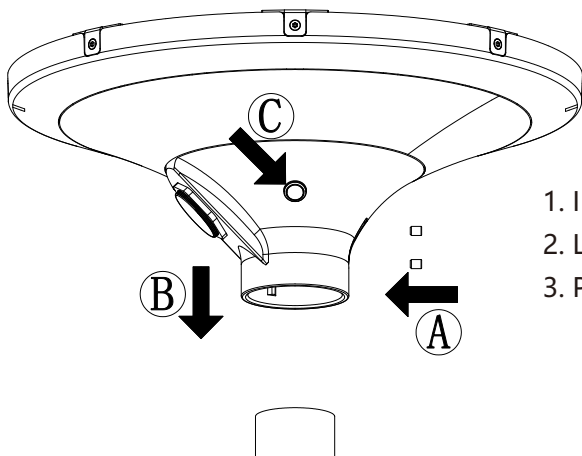
Unit:mm



# LED Yard light TYS001

Parameter	30W	20W	10W
Battery voltage (DC)	12.8V	12.8V	12.8V
Luminous flux	5100Lm	3600Lm	1900Lm
luminous efficiency	170lm/W	180lm/W	190lm/W
Solar panel watt	31W	31W	31W
Battery capacity	153.6WH	76.8WH	76.8WH
Color temperature		3000-6500	
CRI		70/80	
Beam angle		105°	
N.W.	6.2KG	5KG	5KG
G.W.	8.3KG	7.1KG	7.1KG
IP		IP65	
Installation height	3-5m	3-4m	2.5-3m
Package size		57*57*24cm	

## INSTALLATION



1. Insert the lamp into the lamp pole (Figure B)
2. Lock the fixing screw to fix the lamp on the lamp pole (Fig. A)
3. Press the button switch (Fig. C)